

# Option List

## Schüco ASS 70 Bi-Folding Door



Our Schüco ASS 70 Bi-Folding Door can be customised to fulfil individual design requirements. Please see this list for all available options.

Standard options are marked with a red asterisk \*.

### Available Options:

1. Colours.....	1
2. Handles.....	1
3. Hinges.....	2
4. Cylinders.....	2
5. Rosettes.....	3
6. Gearbox.....	4

## 1. Colours

Handles, hinges and rosettes for our Schüco ASS 70 Bi-Folding Door are available in these colours:

Colour Code:	C0	RAL 9005	RAL 9010	RAL 9016	–
Material:	Aluminium	Aluminium	Aluminium	Aluminium	INOX
Colour Examples:					

## 2. Handles

### Door handle

Straight, with return spring and concealed fixings.



Colour	Material	Art. no.
C0	Aluminium	240 152*
RAL 9005	Aluminium	240 153
RAL 9010	Aluminium	240 154
RAL 9016	Aluminium	240 155
–	INOX	240 168

### Door handle

Cranked, with return spring and concealed fixings.



Colour	Material	Art. no.
C0	Aluminium	240 156
RAL 9005	Aluminium	240 157
RAL 9010	Aluminium	240 158
RAL 9016	Aluminium	240 159
–	INOX	240 169

### Door handle

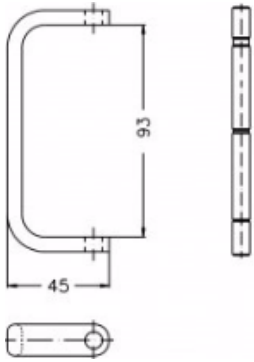
Cranked, with return spring and concealed fixings. Only for sashes where  $w \leq 800\text{mm}$ .



Colour	Material	Art. no.
C0	Aluminium	210 709
RAL 9005	Aluminium	210 752
RAL 9010	Aluminium	210 711
RAL 9016	Aluminium	210 712
–	INOX	210 723

### Pull handle

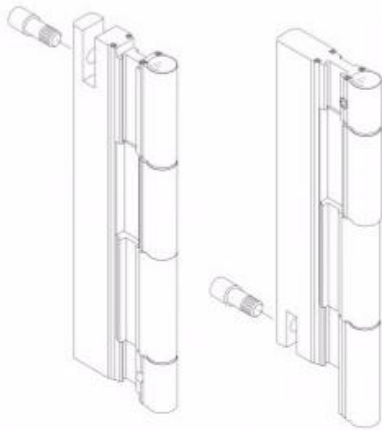
Facilitates the closing of outward-opening sash stacks. Secured to hinge.



Colour	Material	Art. no.
C0	Aluminium	223 697*
RAL 9005	Aluminium	223 698
RAL 9010	Aluminium	223 699
RAL 9016	Aluminium	223 700

### 3. Hinges

Colour of the folding door's hinges can be customised. Exact hinge type is decided by our engineers to fit the specific opening combination.



Colour	Material	Art. no.
C0	Aluminium	—*
RAL 9005	Aluminium	—
RAL 9010	Aluminium	—
RAL 9016	Aluminium	—

### 4. Cylinders

#### Euro cylinder

With Schüco-marking and three nickel-plated brass keys.



Dimensions	Art. no.
45/45	211 157*

#### Security euro cylinder

With anti-drill and core removal protection, with emergency and anti-lock-out function, includes security guard. Delivered with three keys.



Dimensions	Art. no.
40/40	211 978

## 5. Rosettes

### Rosette

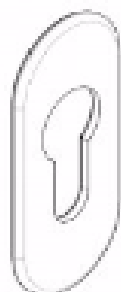
Profile cylinder rosette with concealed fixings. Dimensions: 33 × 70 × 7mm.



Colour	Material	Art. no.
C0	Aluminium	218 893*
RAL 9005	Aluminium	227 652
RAL 9010	Aluminium	218 895
RAL 9016	Aluminium	218 896
–	INOX	218 897

### Rosette

Flat, 2mm design.



Colour	Material	Art. no.
C0	Aluminium	240 695
RAL 9005	Aluminium	240 696
RAL 9010	Aluminium	240 697
RAL 9016	Aluminium	240 698

### Security profile cylinder rosette

With concealed and tamper-proof fixing, two-part, dimensions: 33 × 74 × 6mm.



Colour	Material	Art. no.
C0	Aluminium	218 236
RAL 9005	Aluminium	227 651
RAL 9010	Aluminium	218 238
RAL 9016	Aluminium	218 239
–	INOX	218 908
–	Brass	218 247

### Anti-drill protection plate

Self-adhesive.



Colour	Material	Art. no.
Red	Steel	239 678

## 6. Gearbox

### Gearbox

For vertical locking of the folding sash. For extra security, a lockable gearbox can be chosen instead of a non-lockable (standard option). Euro cylinder 241 031 must be fitted with the lockable gearbox.



Note	Colour	Material	Art. no.
Non-lockable	Black	Steel	241 627*
Lockable	Black	Steel	241 628

### Handle

For locking the folding door with gearbox 241 627 / 241 628.



Colour	Material	Art. no.
C0	Aluminium	247 285*
RAL 9005	Aluminium	247 286
RAL 9010	Aluminium	247 287
RAL 9016	Aluminium	247 288

### Euro cylinder

For lockable gearbox 241 628. Can only be operated from the inside.



Dimensions	Art. no.
45/10	241 031